



Operating Instructions

Type

TEKA – Ventilator

TEKA Absaug- und Entsorgungs-
technologie GmbH

Industriestraße 13 D-46342 Velen
Postfach 1137 D-46334 Velen

Tel.: +49 (0) 2863 9282-0

Fax: +49 (0) 2863 9282-72

E-Mail: sales@teka.eu

www.teka.eu

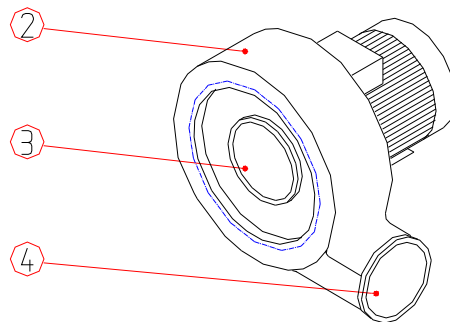
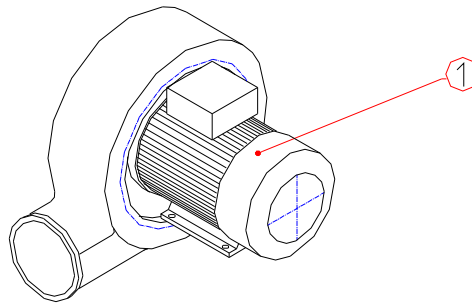


List of contents

1	Drawings / descriptions of the elements.....	3
2	Foreword.....	5
3	Function TEKA - Ventilator	6
4	Safety instructions	6
5	To put into operation.....	7
5.1	Connecting of the devices	7
6.	Technical Data.....	8
7.	Declaration of conformity for TEKA Ventilator.....	9

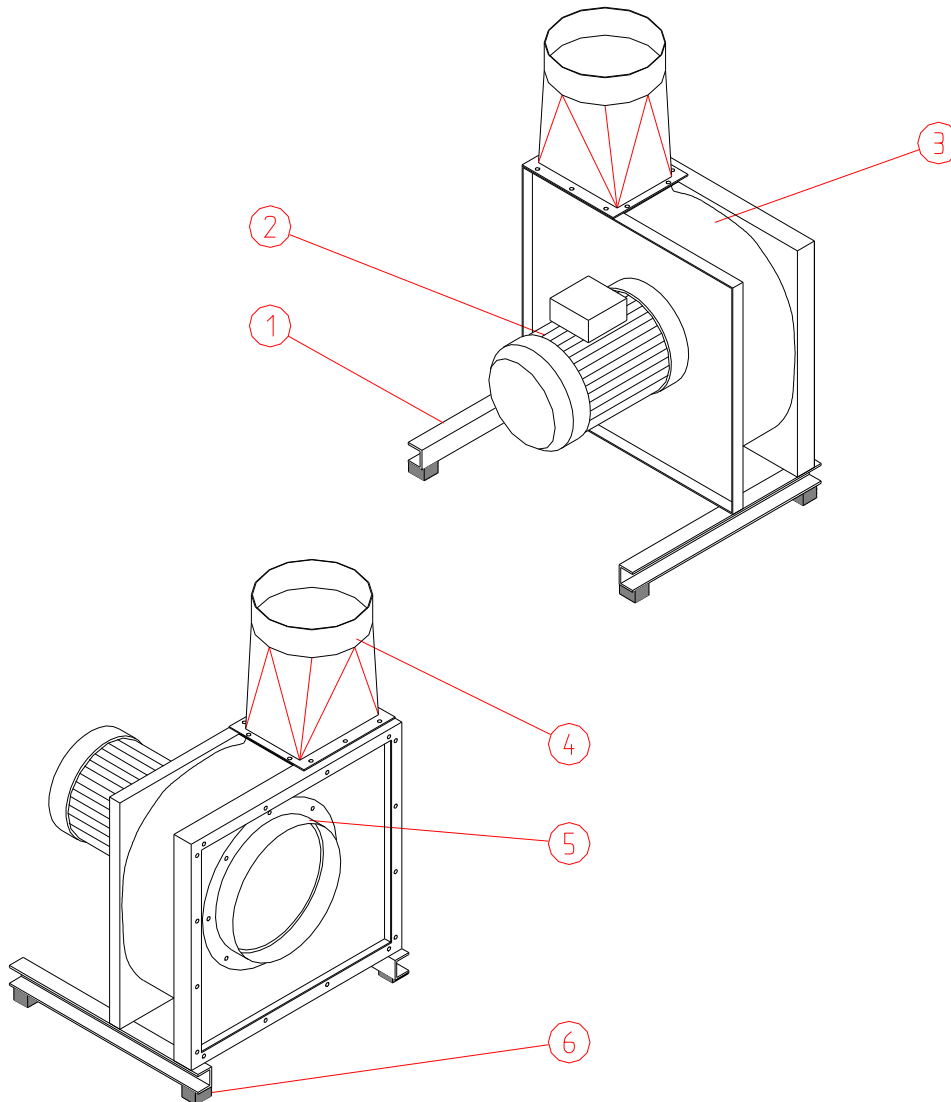
1 Drawings / descriptions of the elements

Ventilator from Siluminguss



Pos.1	Motor	Pos.2	Fan housing
Pos.3	Air inlet	Pos.4	Outlet

Ventilator from steel sheet



Pos.1	Ventilatorgestell	Pos.4	Ausblasstutzen
Pos.2	Motor	Pos.5	Ansaugstutzen
Pos.3	Ventilatorgehäuse	Pos.6	Gummipuffer



2 Foreword

One area of suction systems has gained considerably in importance in recent years. The filtration of the extracted harmful substances and the re-feeding of this filtered air into the workroom or its guidance outside.

From this it can certainly be seen that the environmental awareness of each individual has changed considerably for the benefit of our environment. As the fact that harmful substances do arise during production has been undisputed for a long time. However, the types of harmful substances do depend on the procedures used. In principle, a distinction is made between gases and smoke. Smoke could actually also be described as dust. If you examine this dust under a microscope you can see that it is made up of very small particles, which can enter the lungs, the size of which is often only 0.001 mm or less.

The classical attempt to improve working conditions in polluted working places is general ventilation. In this case, as a rule, the air is changed in the hall many times, i.e. all the air in the hall is replaced. However, this method only slightly reduces the concentration of harmful substances in the area where the user breathes.

A similar principle applies for the so-called overhead suction, i.e. installations of large suction hoods above the workplaces. With this conceivably bad form of guiding air the harmful substances pass upwards through the area where the user is breathing and are only collected and removed at the top. This is certainly not what the inventors intended. Far more effective than room or overhead suction is to remove harmful substances directly at the place where they arise using the point suction. Both the investments as well as operating costs are far lower in the case of direct point extraction.

Besides the technological optimisation of the processing procedure in particular the environmental and industrial protection measures are pre-requisites for successfully using the technology. Against the background of increasing sensitisation and tighter statutory regulations it is therefore our task to assess and, if applicable, minimise the potential risk for the environment and the workplace at an early stage.



3 Function TEKA - Ventilator

The TEKA-Ventilator is mainly used for ventilating.

It also can be used for the punctual suction of welding smoke. For this purpose the ventilator may be fitted with a flexible suction hose or a specially designed collection device for the application concerned. For the case of suction of welding smoke the inside of the TEKA-Ventilator has to be cleaned regularly, otherwise it impends an imbalance or damage of the motor.

Restrictions to use:

Welding smoke containing oil mist, aluminium dust, grinding dust, extraction of metallic dust, gases, water etc. (If you have any questions in this respect please contact the manufacturer!)

The polluted air is collected by the suction hood (or collection device) and is removed via a suction hose.

4 Safety instructions

The following principle safety measures are to be observed when using electrical appliances for protection against an electric shock, risk of injury fire:

- Please read and follow these instructions before you use the ventilator!
- Keep these operating and service instructions in a safe place!
- Do not use the ventilator for extracting highly inflammable or explosive gases!
- Do not use the ventilator for extracting aggressive media!
- Do not use the ventilator for extracting burning or glowing substances!
- Do not use the ventilator for extracting any kinds of liquids!
- Do not use the ventilator for extracting organic substances without the prior written consent of the manufacturer!
- Protect the connector plug against heat, moisture, oil and sharp edges!
- Pay attention to the permissible voltage! (observe the information on the type plate!)
- Only use TEKA spare parts!
- The exhaust opening must not be covered or blocked!
- Please always pay attention that the ventilator is standing in a secure position!
- The mains line of the ventilator is to be inspected regularly for signs of any damage!
- The ventilator may not be used if the mains line is not in a good working condition!
- Do not use the ventilator if one part or several parts of the appliance is/are faulty, not available or damaged. In each of these cases please call the TEKA service department under phone no. 0 28 63 / 92 82 - 0.



5 To put into operation

The ventilator is delivered ready to connect.

The ventilator can be used in any working position.

The ventilator may be installed outside, as soon as sheltered against wind and weather.

The collection elements and if applicable other accessories must be assembled or installed on the ventilator before commencing operation.

Note:

The ventilator may only be operated without a hose if the intake stub and the exhaust stub are secured by a grating!

5.1 Connecting of the devices

Note:

Work on electrical appliances may only be carried out by authorised skilled workers!
Observe the information on the type plate!



6. Technical Data

Power kW	Tension V	Frequency Hz	Rated current A	Volumetric air flow max. m ³ /h	Enclosure	ISO-class
0,55	230	50	2,37	1000	IP 54	F
0,55	400	50	1,36	1000	IP 54	F
0,55	500	50	1,09	1000	IP 54	F
0,75	230	50	2,96	2000	IP 54	F
0,75	400	50	1,71	2000	IP 54	F
0,75	500	50	1,41	2000	IP 54	F
1,1	230	50	4,2	2500	IP 54	F
1,1	400	50	2,4	2500	IP 54	F
1,1	500	50	2,1	2500	IP 54	F
1,5	230	50	5,9	3000	IP 54	F
1,5	400	50	3,8	3000	IP 54	F
1,5	500	50	2,68	3000	IP 54	F
2,2	230	50	8,3	3500	IP 54	F
2,2	400	50	4,8	3500	IP 54	F
2,2	500	50	3,6	3500	IP 54	F
3,0	400	50	6,4	4000	IP 54	F
3,0	500	50	4,9	4000	IP 54	F
4,0	400	50	7,7	5000	IP 54	F
4,0	500	50	6,0	5000	IP 54	F
5,5	400	50	10,8	6000	IP 54	F
5,5	500	50	8,6	6000	IP 54	F
7,5	400	50	14,3	7500	IP 54	F
7,5	500	50	11,3	7500	IP 54	F
11,0	400	50	20,4	10000	IP 54	F
11,0	500	50	16,2	10000	IP 54	F



7. Declaration of conformity for TEKA Ventilator



TEKA
Absaug - und Entsorgungstechnologie GmbH
Industriestraße 13
D - 46342 Velen
Tel.:+49 2863 92820 Fax:+49 2863 928272
e-Mail: sales@teka.eu Internet:<http://www.teka.eu>

We hereby declare and having sole responsibility that the afore-mentioned product from machine no.: 8000010011001 corresponds with the following norms:

Machine directive:	2006/42/EG
Electromagnetic compatibility:	2004/108/EG
Directive for pressure appliances:	97/23/EG
Low voltage directive:	2006/95/EG

Applied harmonised norms:

- DIN EN 349
- DIN EN 983
- DIN EN 12100 part 1 and part 2
- DIN EN 60204 part 1
- DIN EN ISO 13857
- DIN EN ISO 14121

If applicable further applied national norms and specifications:

- DIN 45635 Part 1

This declaration will cease to be valid if any changes are made to the suction and filter systems which have not been coordinated with the manufacturer in writing.

A handwritten signature in black ink, appearing to be "Rainer Hauer", written over a light blue rectangular background.

Velen, 29. Dezember 2009